



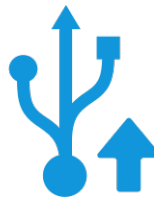


faytech Interactive Digital Whiteboard








-  20-point touch
-  ±1mm :
Touch Accuracy
-  1.8 mm:
Min. Object Size
-  Optical Bonding
3.2mm AG Glass
OD 20 Panel

-  USB Type-C
- HDMI-IN 2.0
- HDMI-Out
- DP
- ...



Built-in camera (13m pixels) & 8-array microphones
Built-in audio speakers (2x6Ω20W)
Integrated 2.4G+5G WIFI Module, w/ Korea KC certification

- Video Conference 
- Fluid & Natural Writing System 
- Screen Sharing 
- Up to Android 11.0 
- 4K Ultra HD UI 

faytech Interactive Digital Whiteboard



faytech Interactive Digital Whiteboard SPECS



Product name		86" Interactive Digital Whiteboard (86)			
Article code		FT86OBHB02			
<small>Global Article Code</small>	<small>Company Article Code</small>	<small>Release Date (DD/MM)</small>	<small>Version</small>	<small>Global Article Code</small>	<small>Company Article Code</small>
		03/04/2023	V1		

IP Rating	
IP40	

LCD Panel	
Screen diagonal (Inch/cm)	86/218.44
Display active screen size (cm)	189.50x106.59
Aspect ratio	16:9
Display orientation	Horizontal
Physical resolution	3840x2160
Maximum showable resolution	3840x2160
Colours displayed	10-bit(D), 1.07B
Brightness (cd/m ²)	450
Contrast	1200 :1
Typical reaction time Tr/ Tf (ms)	8/8
Visual angle horizontal/vertical (°)	178/178
Backlight / backlight lifetime (hours)	D-LED / min. 30,000
Light type	Low-blue light

Operation / Mechanical	
Storage Temperature (°C)	-20 ~ +60
Operating Temperature (°C)	0 ~ +50
Humidity Range (RH)	20% - 90%
Net weight (kg)	64.00
Gross weight (kg)	75.00 (incl. cartonnage)
Housing (mm) L x W x H	1963.5 x 1182.5 x 123.4
Package (mm) L x W x H	2044.0 x 1283.0 x 174.0
Housing material	Aluminum
Installation Method (optional)	Wall-mounted / Floor Stand
Mounting	VESA 600 x 600

External Connectors	
Front interface	1x HDMI-IN 2.0 2x USB 3.0 (public Type-A) 1x Type-C (60W+4K60+USB 2.0)
Back interface	2x HDMI-IN 1x HDMI-OUT 1x DP-IN 1x Coax 2x USB 3.0 1x USB 2.0 2x USB Touch-OUT (3.0) 1x RS232 2x RJ45 1x PC Audio-IN 1x Line-OUT 1x Type-C (60W+4K60+USB 2.0)

PC System	
CPU	Amlogic A311D2 - 4x Cortex-A73 + 4x Cortex-A53 2.0/2.2GHz
Chipset	311D2
Graphic GPU	Arm Mali-G52 MP8 800MHZ
RAM / Memory	8GB
ROM / Storage	64GB
Network	10M/100M/1000M
Wireless module	2.4G+5G, with KC certification
OS	Android 11 (Android 13 available in June 2023)

Audio	
Speaker position	Bottom front
Speaker rated impedance	6Ω
Speaker freq. response	F0 ~ 20 kHz ± 20%
Speaker max. power output	20Wx2
Transmission range	5-8m

Touch Panel / Cover Glass	
Touch sensor	Infrared touch technology
Touch points	20-points touch
Touchscreen writing tools	Finger, pen or other opaque objects
Touch resolution	32768x32768
Touch height	2-3mm
Touch response time (single-point)	≥8ms
Cursor speed	140 points/second
Positioning accuracy	± 1mm
Communication interface	Dual USB
Cover glass thickness	3.2mm
Cover glass bonding	Optical Bonding (in-house)
Touch surface hardness	7H
Surface treatment	Anti-glare (chemical etching)
Glass strengthening	Tempered
Transparency	>88%
Haze	2-3%

Power	
Working Power (V)	AC 100-240V~50/60Hz
Power Consumption (W)	≤450
Stand-By Consumption (W)	<0.5

Camera + Microphone	
Camera	Built-in 13 million pixels
Microphone	8-array microphones

Included in the Delivery	
Power Cable	
HDMI Cable	
USB-Touch Cable	

